

KIT PART NUMBER 7800033

INSTRUCTIONS FOR INSTALLING MILLENNIA HEADER KIT

CHECK THE PARTS RECEIVED IN THE KIT WITH THE PARTS LIST IN THESE INSTRUCTIONS. IF ANY PARTS ARE MISSING, CONTACT THE NATIONAL VENDORS PARTS DEPARTMENT IMMEDIATELY.

**Read these instructions carefully before installing the kit.
Keep these instructions for part numbers and for future reference.**

THIS KIT CONTAINS THE FOLLOWING :

PART NUMBER	DESCRIPTION	QUANTITY
7802120	ASSY - RC1 TOP MILLENNIA TRIM	1
7802129	DECAL .020 THK HORIZ 38" BLK	1
4741050	SCREW #8-32X.50 HX.HD.-T.F.-BLACK	8
7800034	KIT- INSTRUCTIONS	1

1. Disconnect power from machine.
2. Remove Millennia header from machine.
3. Using a heavy pair of channel lock pliers, remove all clips left from trim piece that was removed in previous step.

Note:

Clips may be hard to remove. Be careful not to damage door of machine when removing.

4. Align Millennia trim assembly part #7802120 to the outside top of machine where the other piece of trim was removed.

USE PART RC1 TOP MILLENNIA TRIM AS TEMPLATE TO MARK LOCATION OF HOLES TO DRILL.

NOTE: TO AVOID CAUSING DAMAGE TO OTHER AREAS ON THE DOOR, ONLY DRILL 1/16TH INCH DEEP INTO THE METAL PLATE.

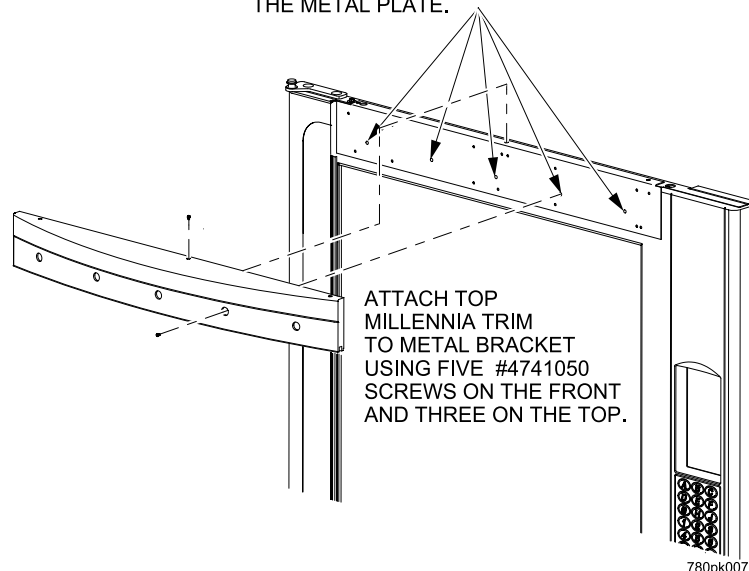


Figure 1

-
5. Using a pencil or marker, place a mark in each hole using the Millennia trim as a template. You should have a total of five marks in front of the door frame and three marks on top of the door frame when you are finished (See figure 1).
 6. Remove the Millennia trim from the door frame.
 7. Using a .141 drill bit, drill a hole where you placed all the marks on the door frame. Be sure to clean all metal shaving when done.

Note:

Be careful not to drill the holes too deep because you could damage the light assembly behind the door frame. Only drill the holes about 1/16" deep or through the outer door frame.

8. Mount the Millennia trim assembly part #7802120 to the frame of the door using the eight screws part #4741050 provided in the kit .

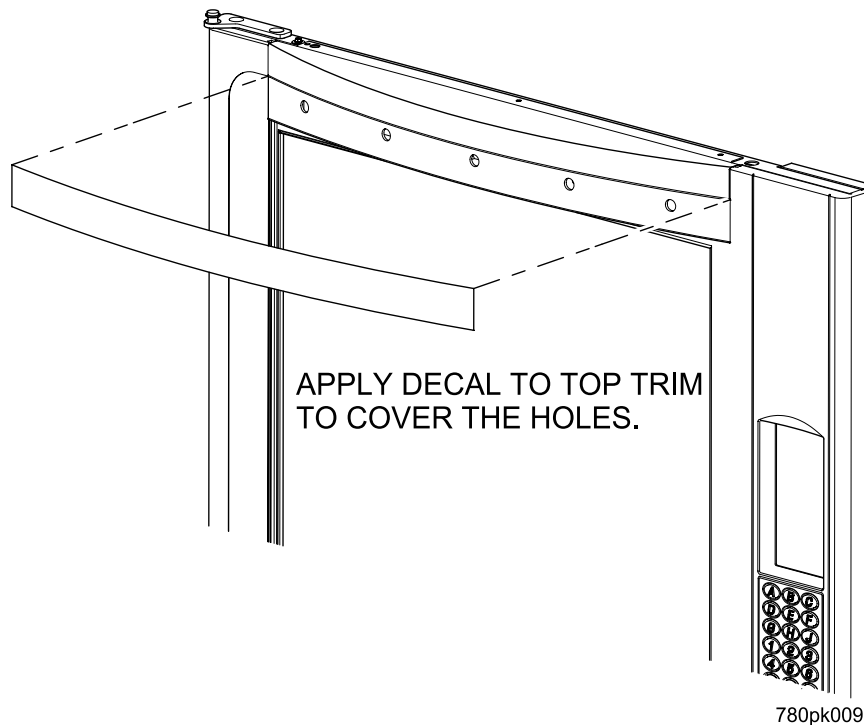


Figure 2

9. Place the decal part #7802129 over the screw holes on the Millennia trim piece (See figure 2).
10. Restore power to machine.